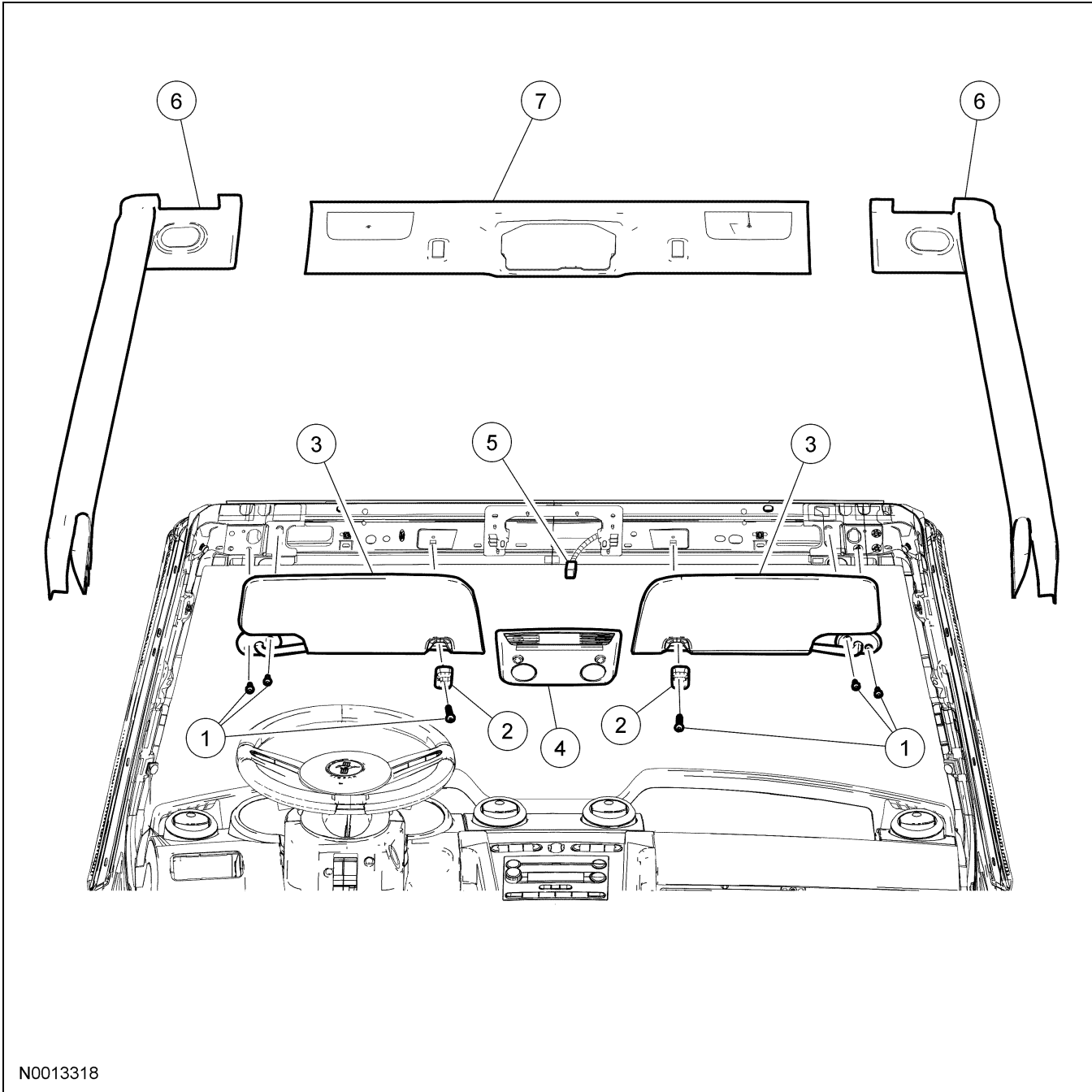


REMOVAL AND INSTALLATION

A-Pillar Trim Panel — Convertible



N0013318

Item	Part Number	Description
1	—	Sun visor screws (6 required)
2	63004132	Sun visor arm clips (2 required)
3	7604104/ 7604105	Sun visors (2 required) (RH/LH)
4	519A58	Overhead console

Item	Part Number	Description
5	—	Overhead console electrical connector (part of 14A464)
6	7603598/ 7603599	A-pillar trim panel (2 required) (RH/LH)
7	7603606	Header trim panel

(Continued)

REMOVAL AND INSTALLATION (Continued)**Removal and Installation**

NOTE: If removing the header trim panel, remove the 2 A-pillar trim panels.

1. Remove the 2 sun visor screws and the sun visors.
 2. Remove the A-pillar trim panel.
 3. If necessary, remove the overhead console.
 - Disconnect the electrical connector.
 4. If necessary, remove the 2 screws and the 2 sun visor arm clips.
 5. If necessary, remove the header trim panel.
 6. To install, reverse the removal procedure.
-