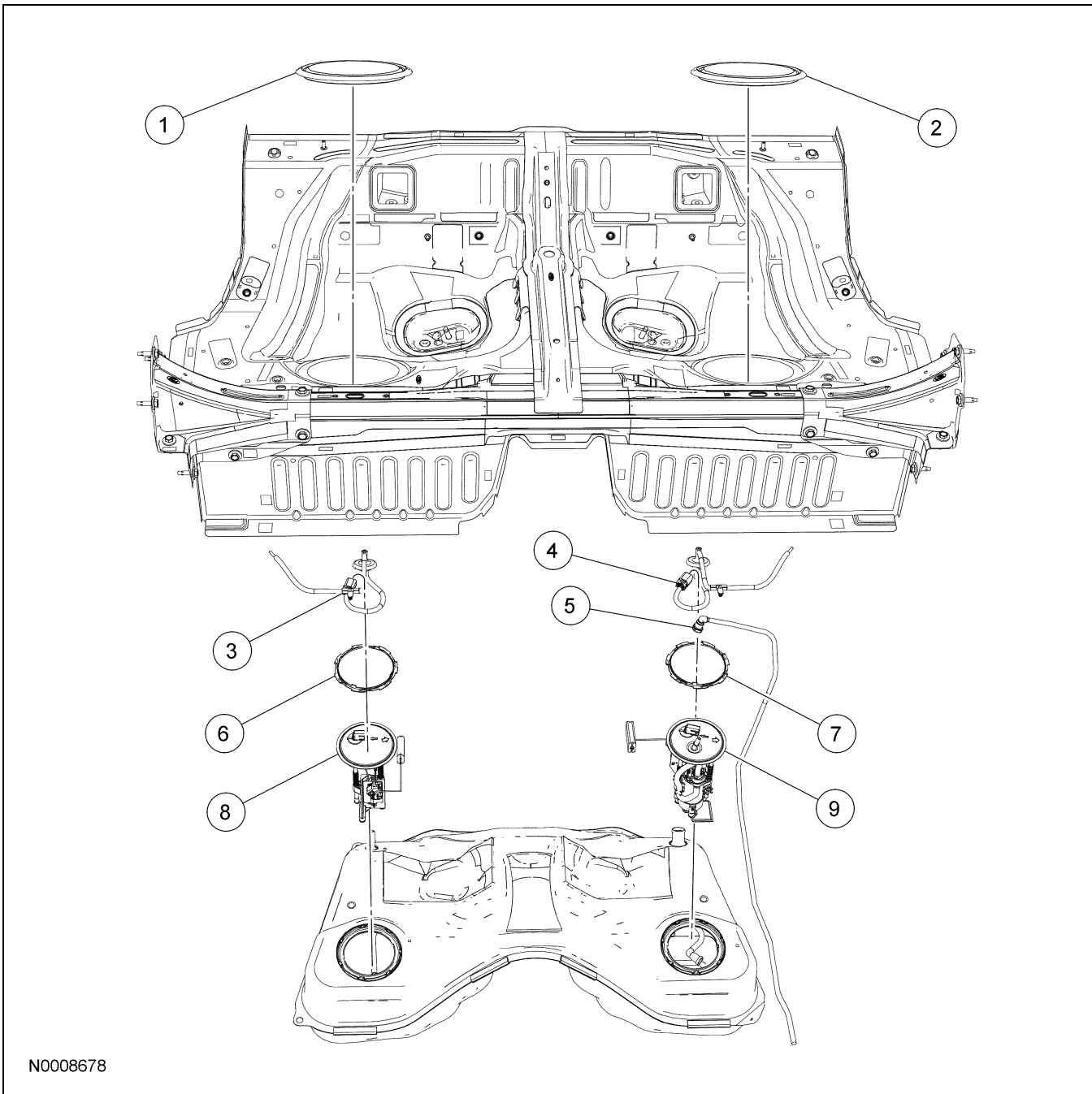


REMOVAL AND INSTALLATION

Fuel Tank and Filler Pipe — Exploded View



N0008678

Item	Part Number	Description
1	9C335A	Fuel level sensor access cover
2	9C335A	Fuel pump (FP) module access cover
3	14A474	Fuel level sensor electrical connector

(Continued)

Item	Part Number	Description
4	14A474	FP module electrical connector
5	9J279A	Fuel supply tube quick connect coupling
6	9C385	Fuel level sensor lock ring
7	9J379A	FP module lock ring

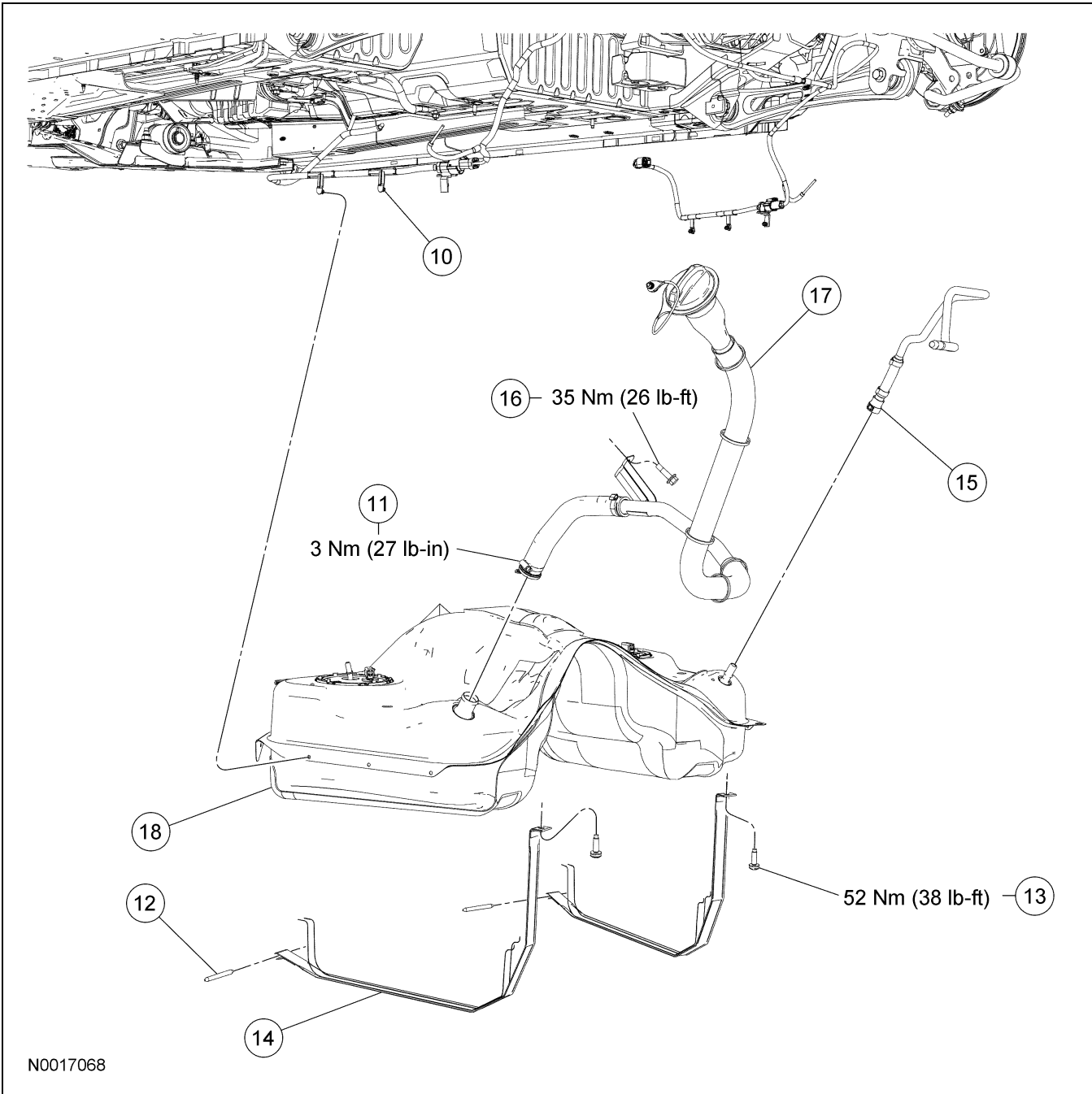
(Continued)

REMOVAL AND INSTALLATION (Continued)

Item	Part Number	Description
8	9275	Fuel level sensor

Item	Part Number	Description
9	9H307	FP module

(Continued)



N0017068

Item	Part Number	Description
10	13A516	Rear lamp harness retainers (6 required)
11	W525937	Fuel tank filler hose clamp
12	W710861	Fuel tank strap retainer pins (2 required)

(Continued)

Item	Part Number	Description
13	W710947	Fuel tank strap retainer bolts (2 required)
14	9055A	Fuel tank straps (2 required)
15	9E325A	Vapor tube quick connect coupling

(Continued)

REMOVAL AND INSTALLATION (Continued)

Item	Part Number	Description
16	W506033	Fuel tank filler pipe retainer bolt
17	9034A	Fuel tank filler pipe
18	9002	Fuel tank

1. For additional information, refer to the procedures in this section.