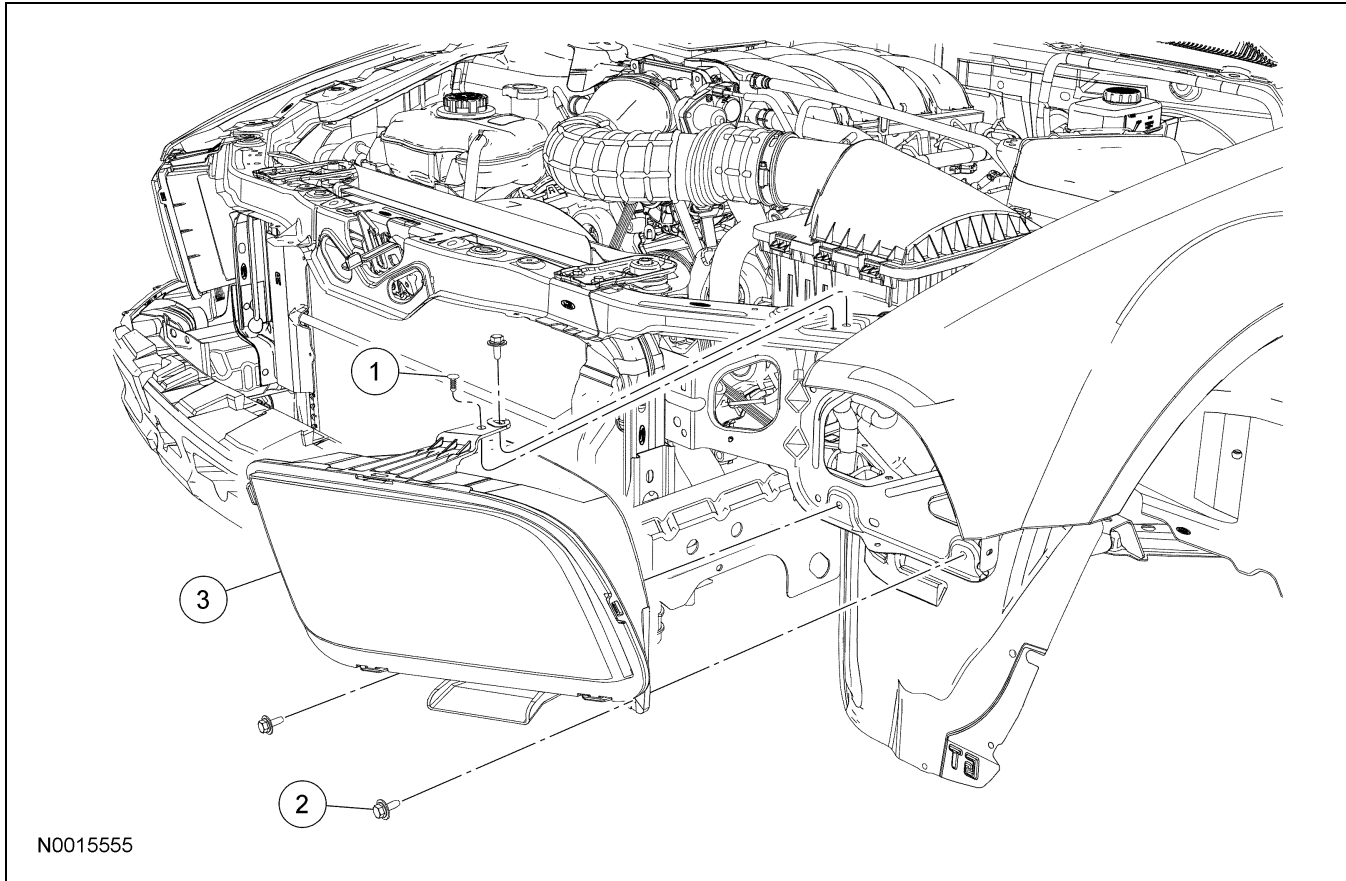


## REMOVAL AND INSTALLATION

### Headlamp Assembly



Item	Part Number	Description
1	58403D24	Push pin
2	9GG600616B	Headlamp mounting bolts
3	13008/13035	Headlamp assembly (RH/LH)

#### Removal and Installation

1. Remove the front bumper cover. For additional information, refer to Section 501-19.
2. Remove the push pin.
3. Remove the 3 headlamp mounting bolts.
  - To install, tighten to 9 Nm (80 lb-in).
4. Remove the bulbs from the headlamp assembly.
5. Remove the headlamp assembly.
6. To install, reverse the removal procedure.