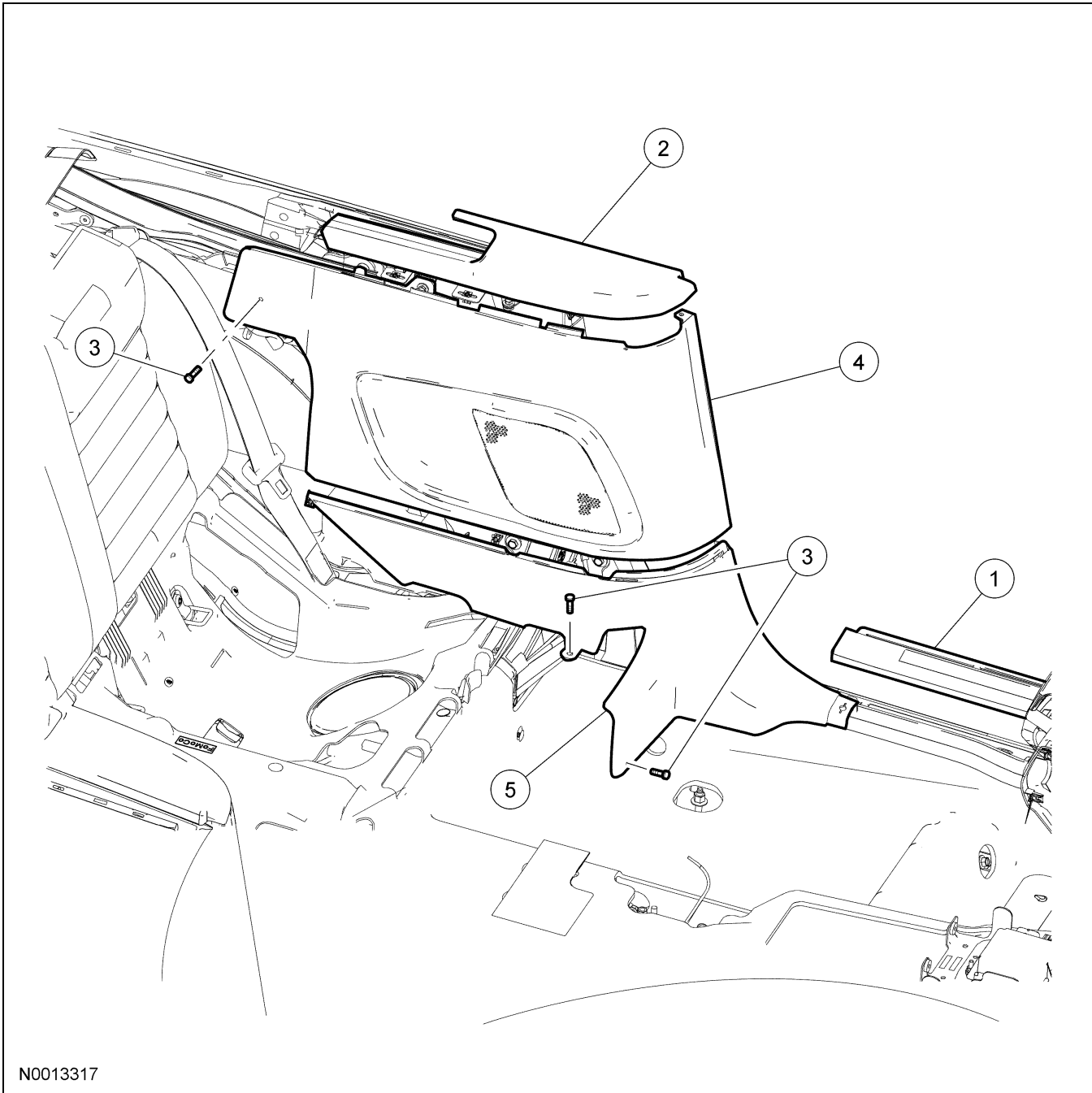


REMOVAL AND INSTALLATION

Rear Quarter Trim Panel — Convertible



N0013317

Item	Part Number	Description
1	6313208/ 6313209	Door scuff plate (RH/LH)
2	7631004/ 7631005	Upper quarter trim panel cap (RH/LH)
3	W709002	Quarter trim panel pin-type retainers (3 required)

Item	Part Number	Description
4	7631112/ 7631113	Upper quarter trim panel (RH/LH)
5	7631012/ 7631013	Lower quarter trim panel (RH/LH)

(Continued)

REMOVAL AND INSTALLATION (Continued)**Removal and Installation**

NOTE: The convertible top must be in the up position.

1. Position the door weatherstrip aside.
 2. Remove the door scuff plate.
 3. Remove the upper quarter trim panel cap.
 4. Remove the rear seat cushion. For additional information, refer to Section 501-10.
 5. Remove the pin-type retainer and the upper quarter trim panel.
 6. Remove the 2 pin-type retainers and the lower quarter trim panel.
 7. To install, reverse the removal procedure.
-